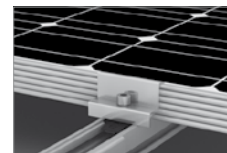
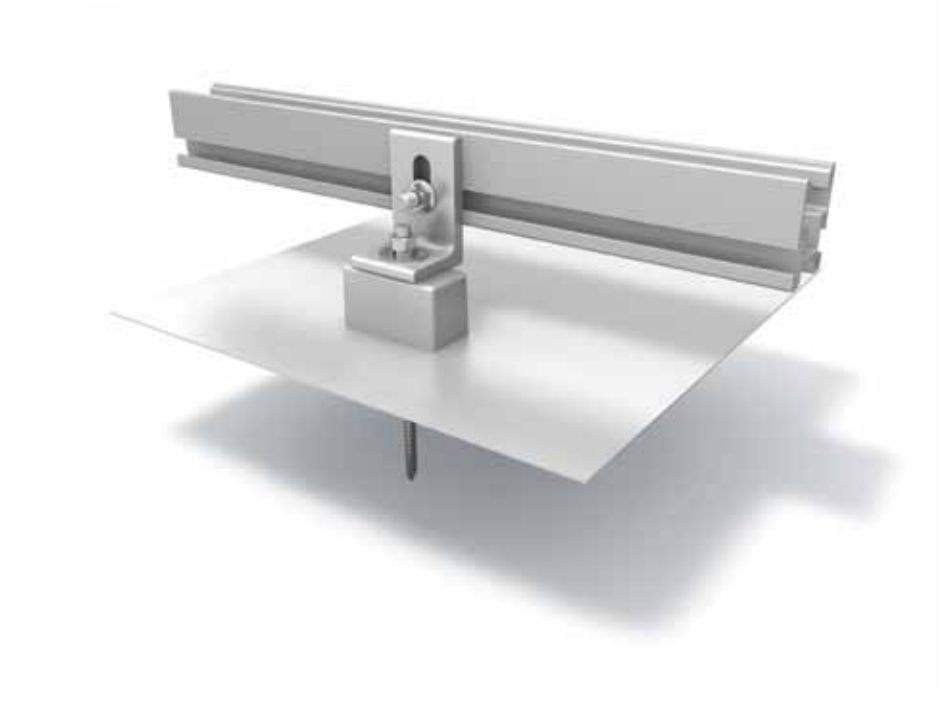


Mounting systems for solar technology



Everest Solar Systems, LLC  
3809 Ocean Ranch Blvd., Suite 111  
Oceanside, CA 92056  
Service-Hotline +1.760.301.5300  
info@everest-solarsystems.com  
www.everest-solarsystems.com

**Produktblatt QuickMount-CrossRail | US2 | 0812**  
Product images are for illustrative purposes only. Specifications are subject to change without notice. All sales of our products shall be subject to Everest Solar Systems terms and conditions, including the exclusive limited warranty set forth therein.

EVEREST SOLAR SYSTEMS  
**RESIDENTIAL ROOF SOLUTIONS**  
**CROSSRAIL SYSTEM**

## CROSSRAIL SYSTEM

- High quality, German engineered system optimized for residential installation
- Everest M K2 mounting hardware simplifies module installation – fast, easy, and secure
- Easily integrates with third party roof attachment products, such as QuickMountPV
- L-foot provides adjustability and compatibility with common roof interfaces (Comp, Tile & Metal)
- No shingle cutting, won't void roof manufacturer's warranty
- 100% code-compliant, structural validation for all solar states
- Two rail sizes available to suit all structural conditions
- Fast installation, minimal component count result in low total installed cost
- Simple to design and permit using code compliant "Everest Base" software

### Technical data

Applicable Roof Types	composition shingle, tile, flat tile
Flexibility	modular construction, suitable for any system size, height adjustable
PV-Modules	for all common module types
Module orientation	portrait and landscape
Material	high corrosion resistance, stainless steel and high grade aluminum
Roof attachment	screw connection into rafter
Structural Validity	IBC compliant, stamped engineering letters available for all solar states
Warranty	10 years
System components	CrossRail 36 and 48, L-Foot, mid and end clamp sets, M K2, third-party roof attachment products such as QuickMountPV



Flashing System with CrossRail 48 for asphalt shingle roofs