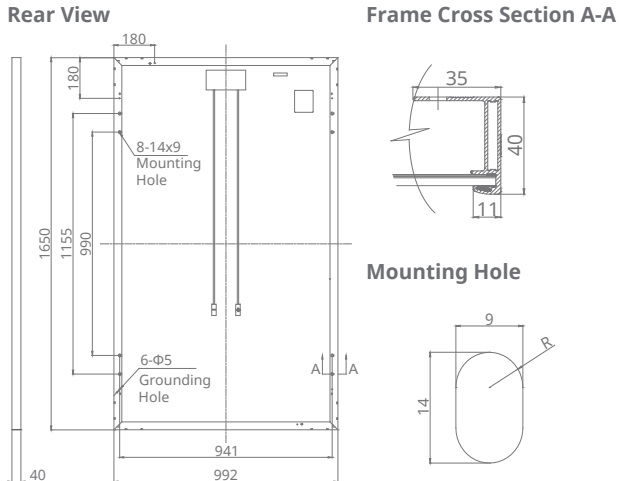
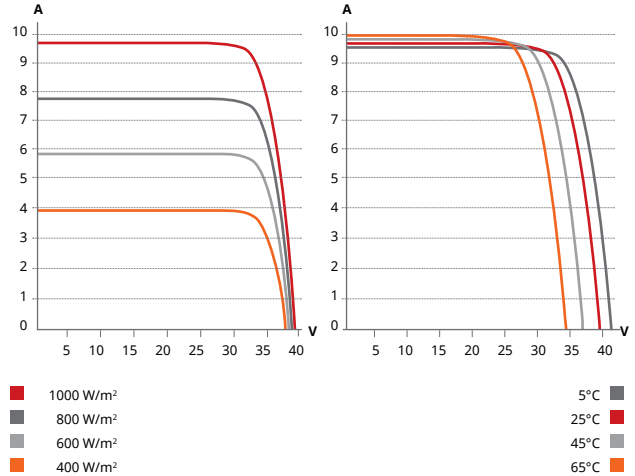


ENGINEERING DRAWING (mm)



CS6K-295MS / I-V CURVES



ELECTRICAL DATA | STC*

CS6K	290MS	295MS	300MS
Nominal Max. Power (Pmax)	290 W	295 W	300 W
Opt. Operating Voltage (Vmp)	32.1 V	32.3 V	32.5 V
Opt. Operating Current (Imp)	9.05 A	9.14 A	9.24 A
Open Circuit Voltage (Voc)	39.3 V	39.5 V	39.7 V
Short Circuit Current (Isc)	9.67 A	9.75 A	9.83 A
Module Efficiency	17.72 %	18.02 %	18.33 %
Operating Temperature	-40°C ~ +85°C		
Max. System Voltage	1000 V (IEC) or 1000 V (UL)		
Module Fire Performance	TYPE 1 (UL 1703) or CLASS C (IEC 61730)		
Max. Series Fuse Rating	15 A		
Application Classification	Class A		
Power Tolerance	0 ~ + 5 W		

* Under Standard Test Conditions (STC) of irradiance of 1000 W/m², spectrum AM 1.5 and cell temperature of 25°C.

MECHANICAL DATA

Specification	Data
Cell Type	Mono-crystalline, 6 inch
Cell Arrangement	60 (6×10)
Dimensions	1650×992×40 mm (65.0×39.1×1.57 in)
Weight	18.2 kg (40.1 lbs)
Front Cover	3.2 mm tempered glass
Frame Material	Anodized aluminium alloy
J-Box	IP67, 3 diodes
Cable	4 mm² (IEC) or 4 mm² & 12 AWG 1000 V (UL), 1000 mm (39.4 in)
Connector	T4 series or PV2 series
Per Pallet	26 pieces, 520 kg (1146.4 lbs)
Per container (40' HQ)	728 pieces

ELECTRICAL DATA | NOCT*

CS6K	290MS	295MS	300MS
Nominal Max. Power (Pmax)	210 W	213 W	216 W
Opt. Operating Voltage (Vmp)	29.0 V	29.2 V	29.4 V
Opt. Operating Current (Imp)	7.25 A	7.30 A	7.35 A
Open Circuit Voltage (Voc)	36.2 V	36.4 V	36.6 V
Short Circuit Current (Isc)	7.74 A	7.83 A	7.92 A

* Under Nominal Operating Cell Temperature (NOCT), irradiance of 800 W/m², spectrum AM 1.5, ambient temperature 20°C, wind speed 1 m/s.

TEMPERATURE CHARACTERISTICS

Specification	Data
Temperature Coefficient (Pmax)	-0.39 % / °C
Temperature Coefficient (Voc)	-0.30 % / °C
Temperature Coefficient (Isc)	0.053 % / °C
Nominal Operating Cell Temperature	45±2 °C

PERFORMANCE AT LOW IRRADIANCE

Excellent performance at low irradiance, with an average relative efficiency of 97.5 % from irradiances, between 1000 W/m² and 200 W/m² (AM 1.5, 25°C).

The specification and key features described in this datasheet may deviate slightly and are not guaranteed. Due to on-going innovation, research and product enhancement, Canadian Solar Inc. reserves the right to make any adjustment to the information described herein at any time without notice. Please always obtain the most recent version of the datasheet which shall be duly incorporated into the binding contract made by the parties governing all transactions related to the purchase and sale of the products described herein.

Caution: For professional use only. The installation and handling of PV modules requires professional skills and should only be performed by qualified professionals. Please read the safety and installation instructions before using the modules.

PARTNER SECTION

